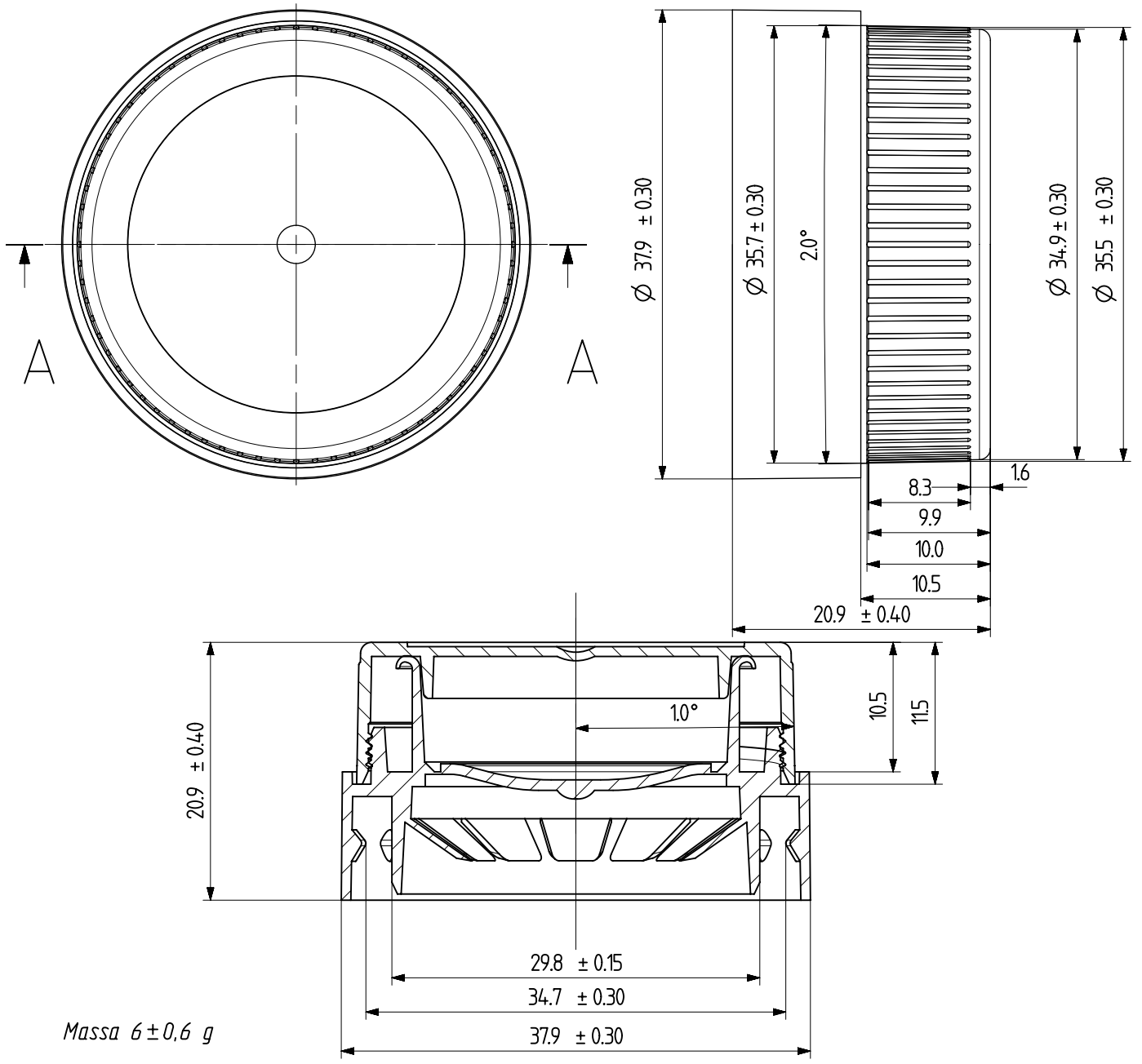
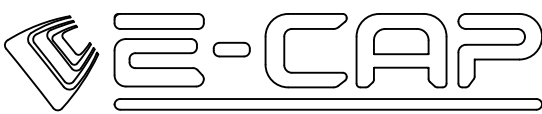


Rev	Date	Description	Name
1			
2			
3			
4			
5			
6			



SECTION A-A

Massa 6 ± 0,6 g

1	PDV 35 niz masla	1	LDPE	4.84 cm <sup>3</sup>	PDV_35_niz		
2	PDV 35	1	HDPE	2.08cm <sup>3</sup>	PDV_35_001		
No.	Part name	Qty	Material/Supplier	Volume	Drawing number	Remarks	
Design		Project name					
Drawing	D.Samusev	25.04.2019	Cap PDV 35				
Approved	A.Leibutin						
	Name	Date	Project number			Scale	Format
			PDV_35_01			2:1	A4