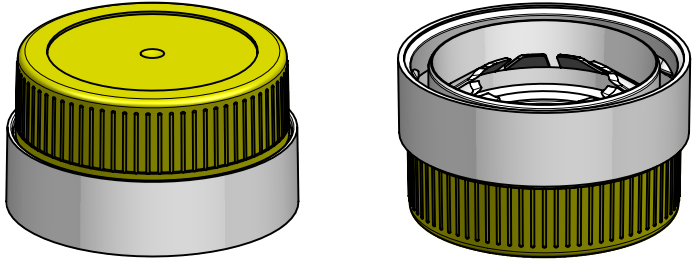
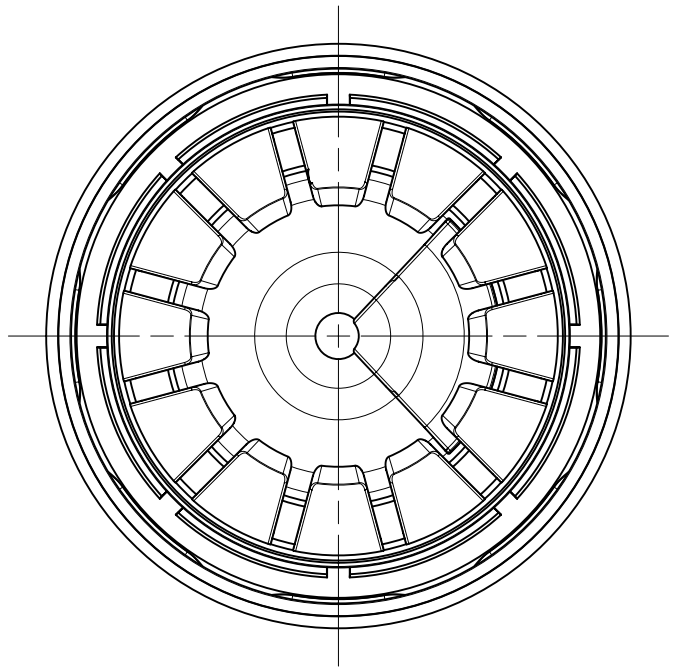
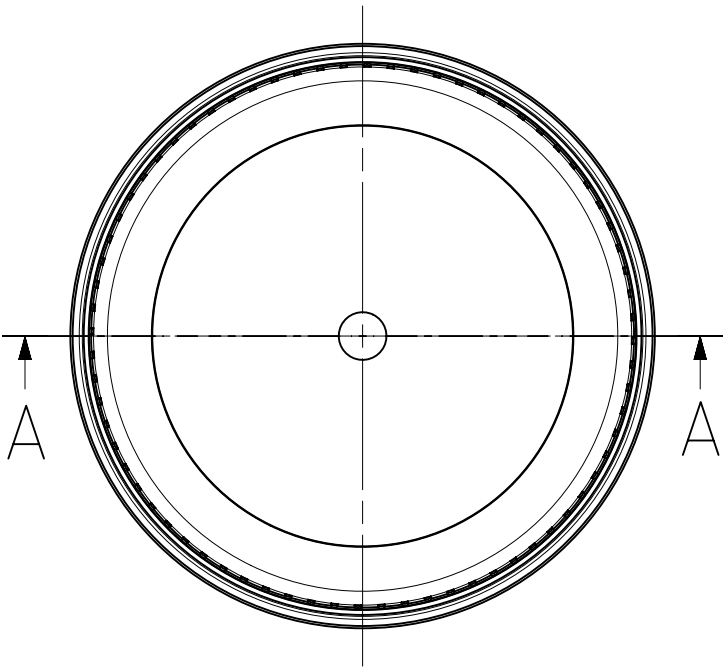
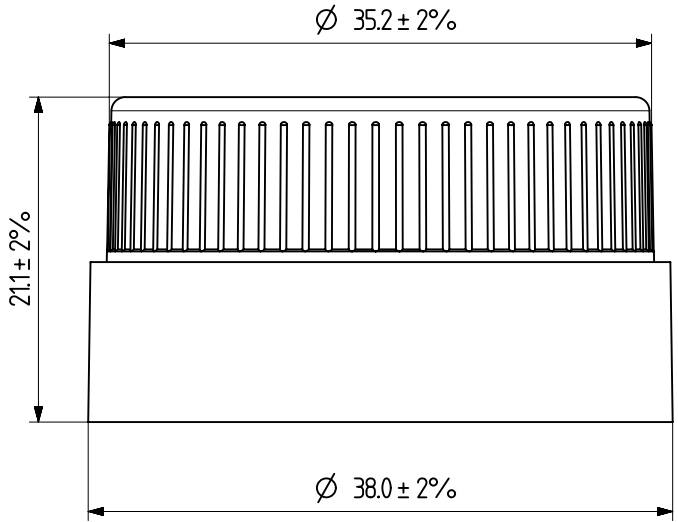
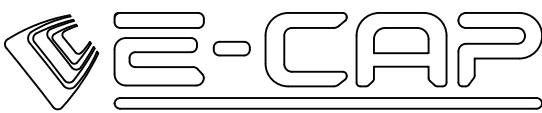


SECTION A-A



Massa: 5.90 ± 0.30 g.

1	PDV 35 bottom	1	LDPE	4.89cm ³		
2	Cap for PDV 35 v1	1	HDPE	2.07cm ³		
No.	Part name	Qty	Material/Supplier	Volume	Drawing number	Remarks
Design	D.Samusev	08.02.2024	Project name			
Drawing	D.Samusev	08.02.2024	PDV 35 v1			
Approved	A.Leibutin	08.02.2024				
	Name	Date			Scale	Format
					2:1	A4