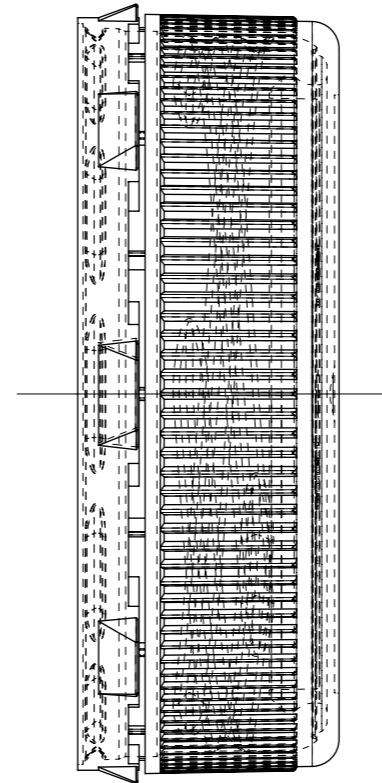
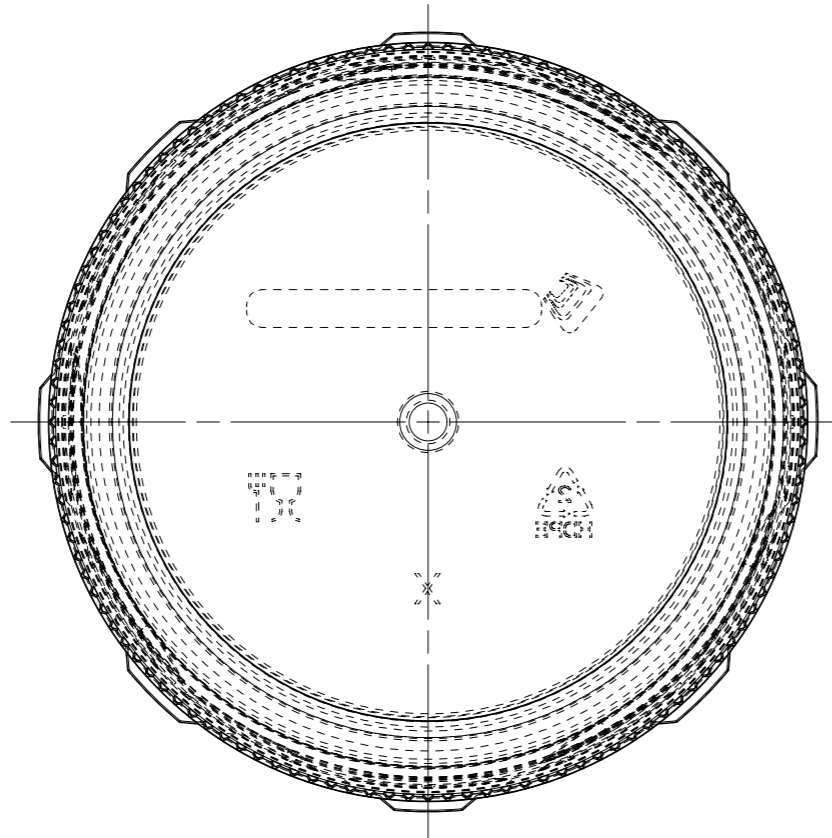
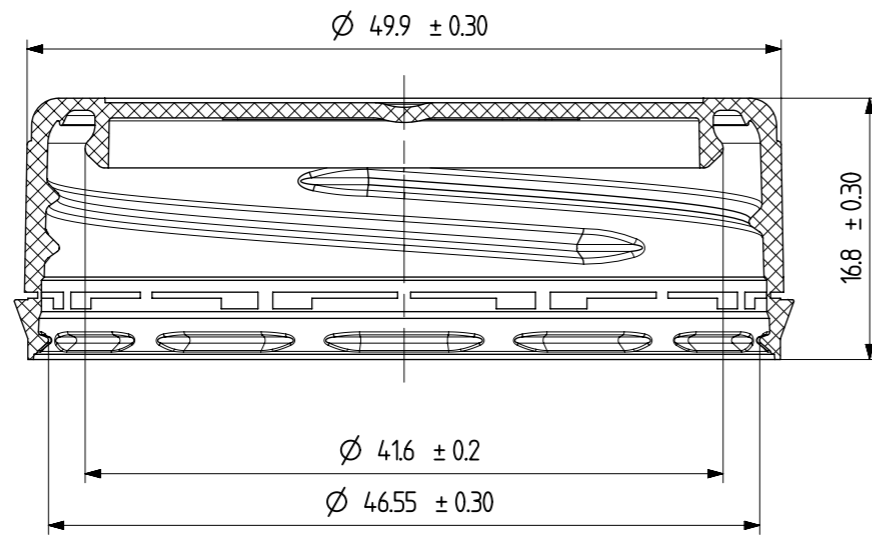
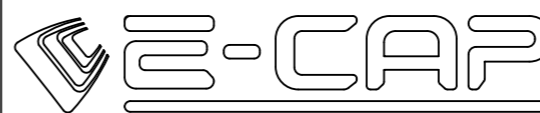


Dim.	Tolerance	Angular tolerance	Surface finish
X	± 0,2	± 1°	Ra 5
X.X	± 0,1	± 0,5°	Ra 2,5
X.XX	± 0,05	± 0,2°	Ra 1,25

Rev	Date	Description	Name
1			
2			
3			
4			
5			
6			
7			
8			
9			
10			
11			
12			
13			
14			
15			



Massa 4.7 ± 0.4 g

1	KV50	1	HDPE	5.03 cm ³		Scale	Format
No.	Part name	Qty	Material/Supplier	Volume	Remarks	2:1	A3
Design			Project name		Project number		
Drawing	D.Samusev	10.04.2019	KV50 F 20		Mold 20		
Approved	I.Avramenko						
	Name	Date	Part number				
			CAP_48MM_mold20				