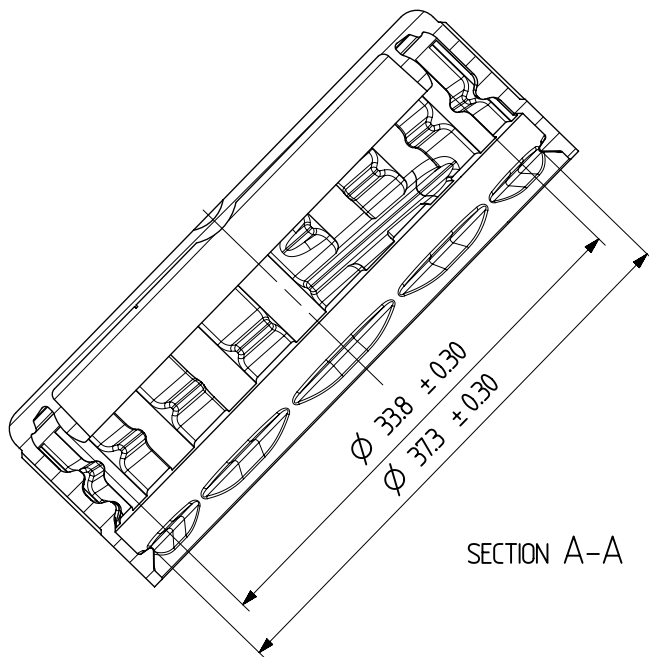
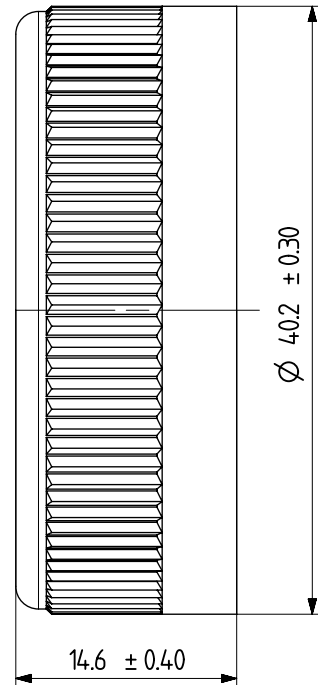
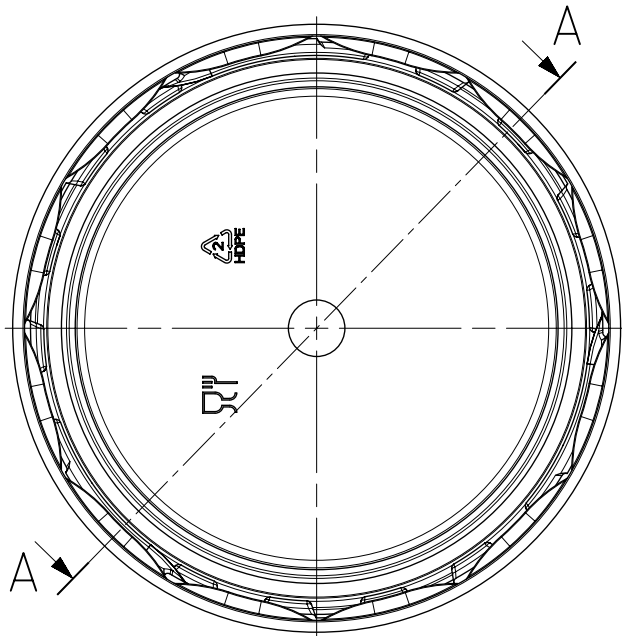
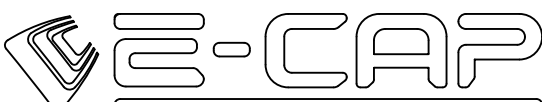


Rev	Date	Description	Name
1			
2			
3			
4			
5			
6			



Massa  $2.6 \pm 0.3$  g

1	Cap KV38 2.6g	1	HDPE	2.96cm <sup>3</sup>		
No.	Part name	Qty	Material/Supplier	Volume	Drawing number	Remarks
Design	G.Galczewski	Project name				
Drawing	A.Nesterovich	27.08.2018	Cap KV 38			
Approved	A.Leibutin	Project number				Scale
	Name	Date	Project number			Format
			Mold 23			2:1 A4