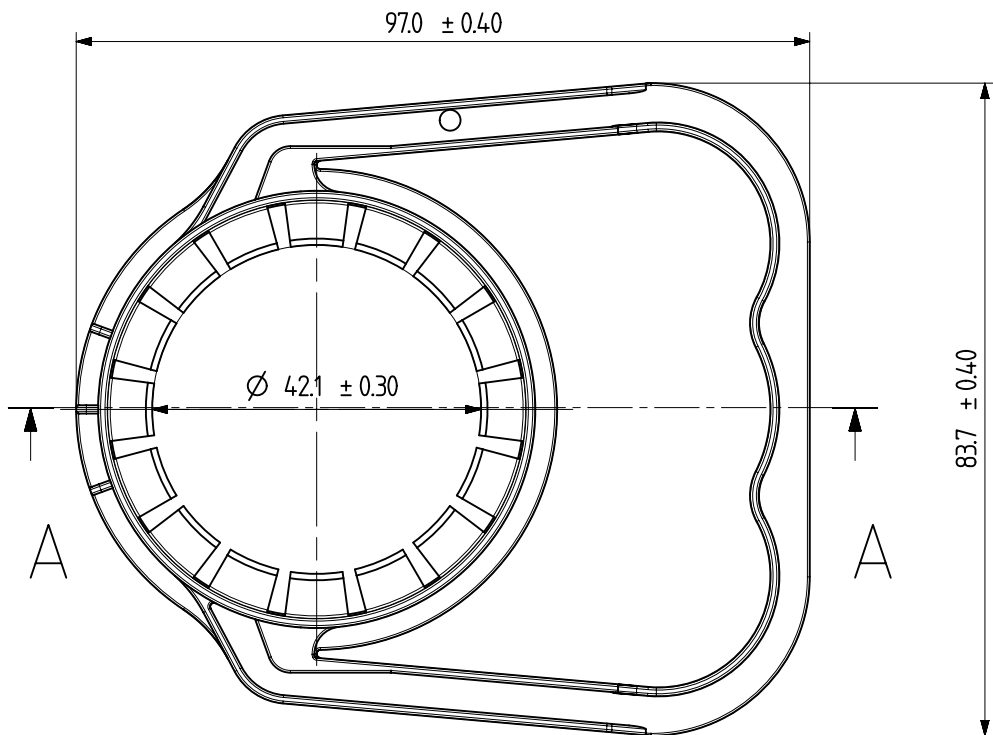
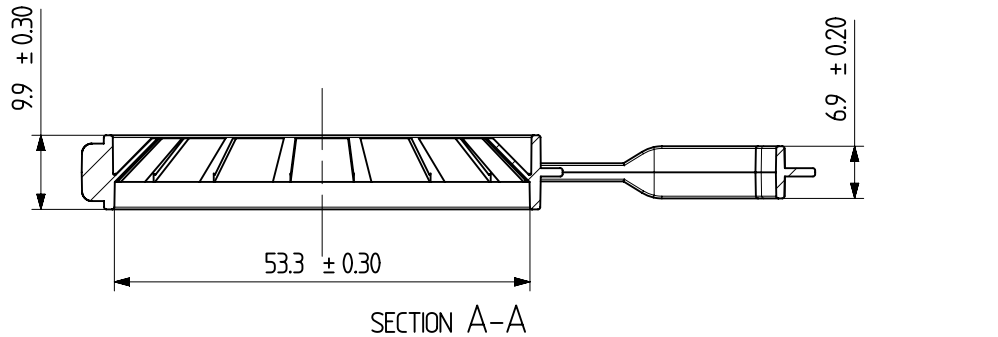
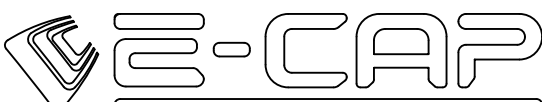


Dim.	Tolerance	Angular tolerance	Surface finish	Rev	Date	Description	Name
X	$\pm 0,2$	$\pm 1^\circ$	Ra 5	1			
XX	$\pm 0,1$	$\pm 0,5^\circ$	Ra 2,5	2			
X.XX	$\pm 0,05$	$\pm 0,2^\circ$	Ra 1,25	3			
				4			
				5			
				6			



Massa  $5.7 \pm 0.30$  g

I	Handle RPB-50 OR		HDPE	6.0 cm <sup>3</sup>		Scale	Format	
No	Part name	Qty	Material/Supplier	Volume	Remarks	1:1	A4	
Design			Project name			Project number		
Drawing	D.Samusev	04.09.2019	Handle RPB-50 OR PF-015 Mold 42			ED-015		
Approved			Part number					
	Name	Date	Part number					
			ED-010.000-00					