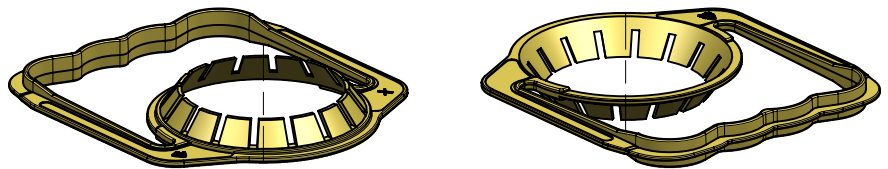
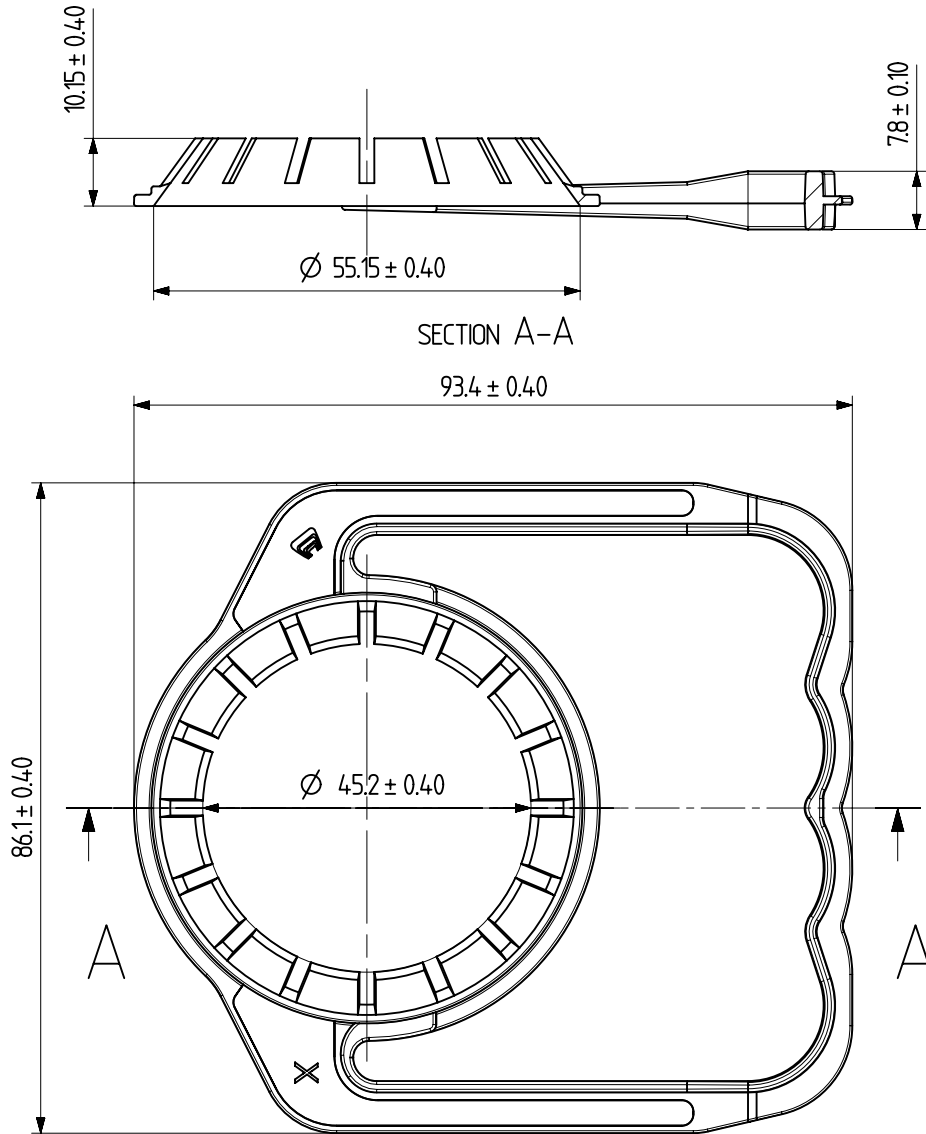
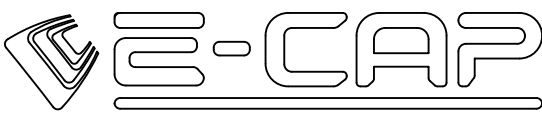


Dim.	Tolerance	Angular tolerance	Surface finish	Rev	Date	Description	Name
X	$\pm 0,2$	$\pm 1^\circ$	Ra 5	1			
XX	$\pm 0,1$	$\pm 0,5^\circ$	Ra 2,5	2			
X.XX	$\pm 0,05$	$\pm 0,2^\circ$	Ra 1,25	3			
				4			
				5			
				6			



Massa 4.84 ± 0.35 g

	Handle RPB-50		HDPE	5.60cm ³		Scale	Format
No	Part name	Qty	Material/Supplier	Volume	Remarks	1:1	A4
Design	D.Samusev		Project name		Project number		
Drawing	D.Samusev	19.09.2019	Handle RPB-50 PF-027 Mold 54		ED-027		
Approved	A.Leibutin		Part number				
	Name	Date					
			ED-027				