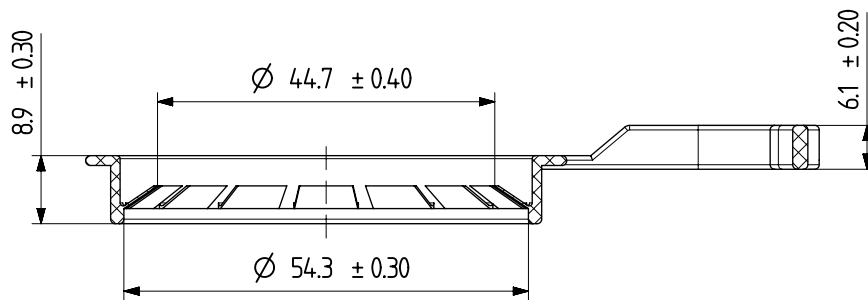
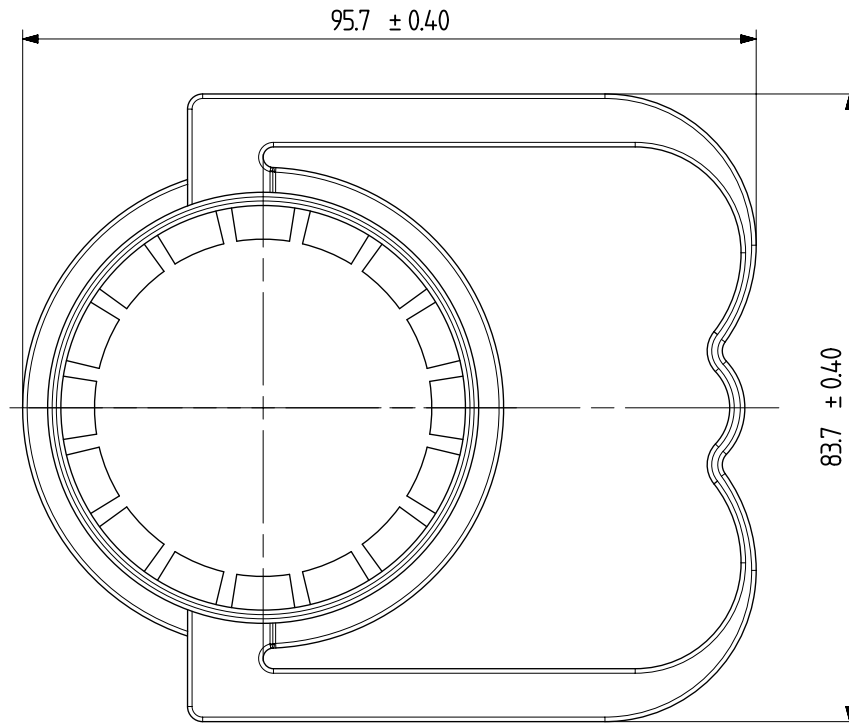
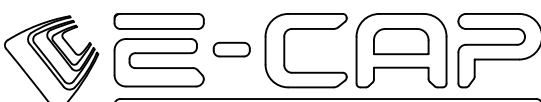


Dim.	Tolerance	Angular tolerance	Surface finish	Rev	Date	Description	Name
X	$\pm 0,2$	$\pm 1^\circ$	Ra 5	1			
XX	$\pm 0,1$	$\pm 0,5^\circ$	Ra 2,5	2			
X.XX	$\pm 0,05$	$\pm 0,2^\circ$	Ra 1,25	3			
				4			
				5			
				6			



Massa 5.7 ± 0.6 g

1	Handle RPB 50	1	HDPE	6.1 cm ³		Scale	Format
No	Part name	Qty	Material/Supplier	Volume	Remarks	1:1	A4
Design		Project name			Project number		
Drawing	A.Nesterovich	Handle RPB 50			Mold 3		
Approved	A.Leibutin	Part number					
	Name	Date					
		RPB 50					