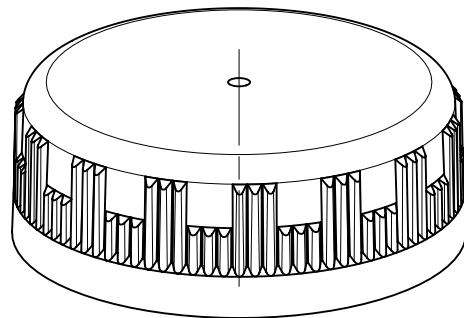
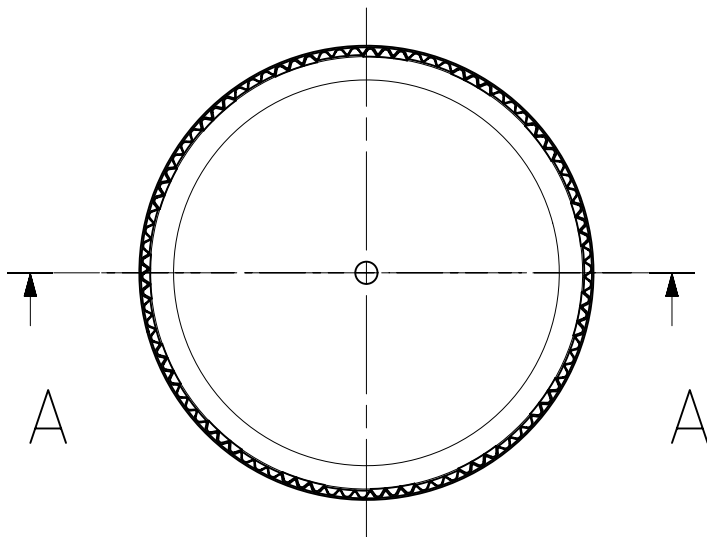
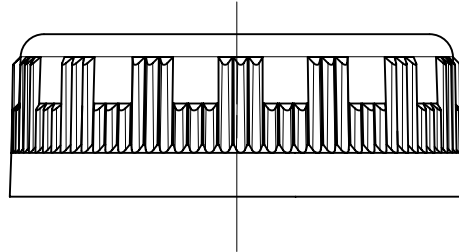
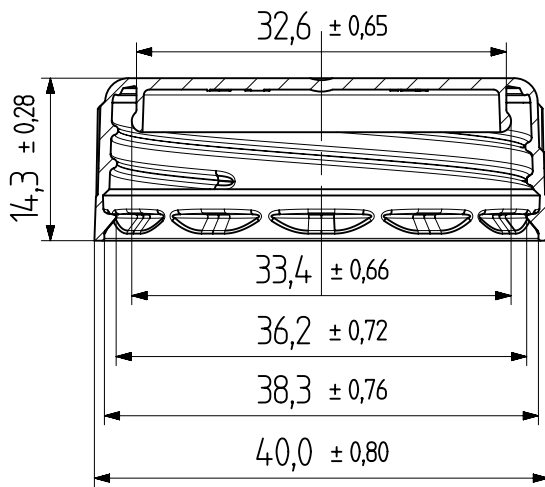
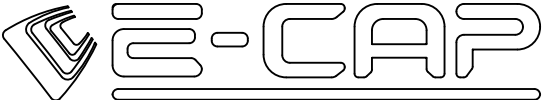


SECTION A-A



Massa: 2.53 ± 0.30 g.

Scale	Format
1,5:1	297.0 x 210.0

No	Part name	Qty	Material/Supplier	Volume	Remarks
Design	I.Zyryanov	09.09.2025	Project name	Project number	
Drawing	I.Zyryanov	09.09.2025	KV 38	ED-028	
Approved					
	Name	Date	Part number		
			250908-PF-028_stp		