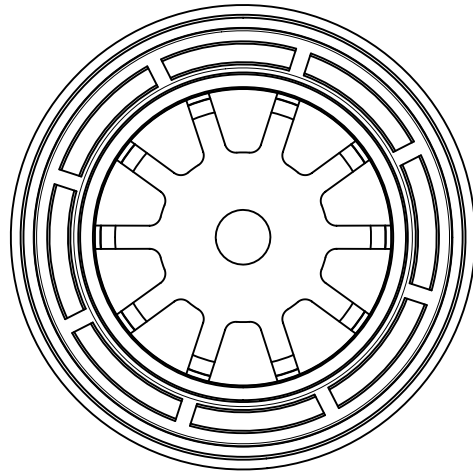
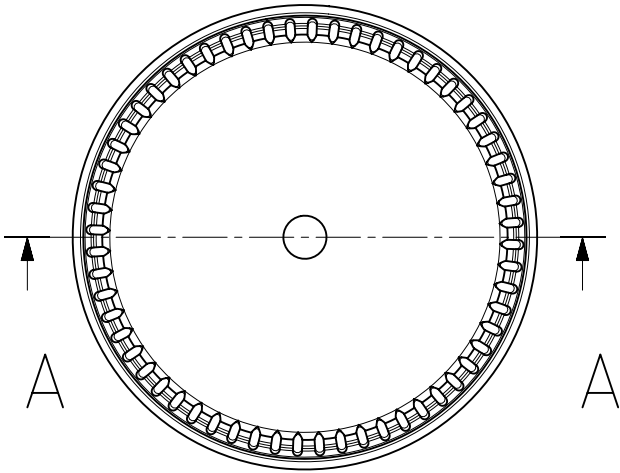
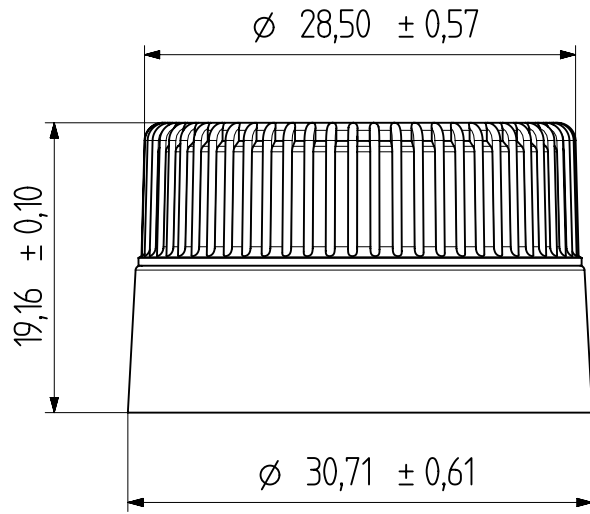
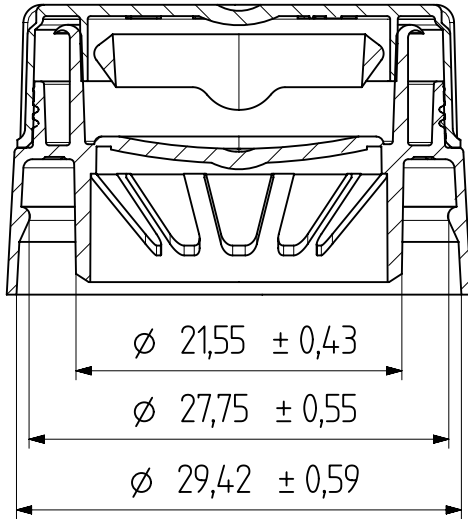
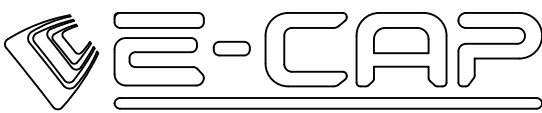


SECTION A-A



Massa: 3.45 ± 0.30 g.

| No. | Part name | Qty | Material/Supplier | Volume | Drawing number | Remarks | |
|--|------------|------------|-------------------|--------|----------------|---------|------------------|
| Design | I.Zyryanov | 18.06.2026 | Project name | | | | |
| Drawing | I.Zyryanov | 18.06.2026 | PDV 29 | | | | |
| Approved | A.Leibutin | 18.06.2026 | | | | | |
| | Name | Date | Project number | | | Scale | Format |
|  | | | | | | 1:1 | 297.0 x 210.0 |