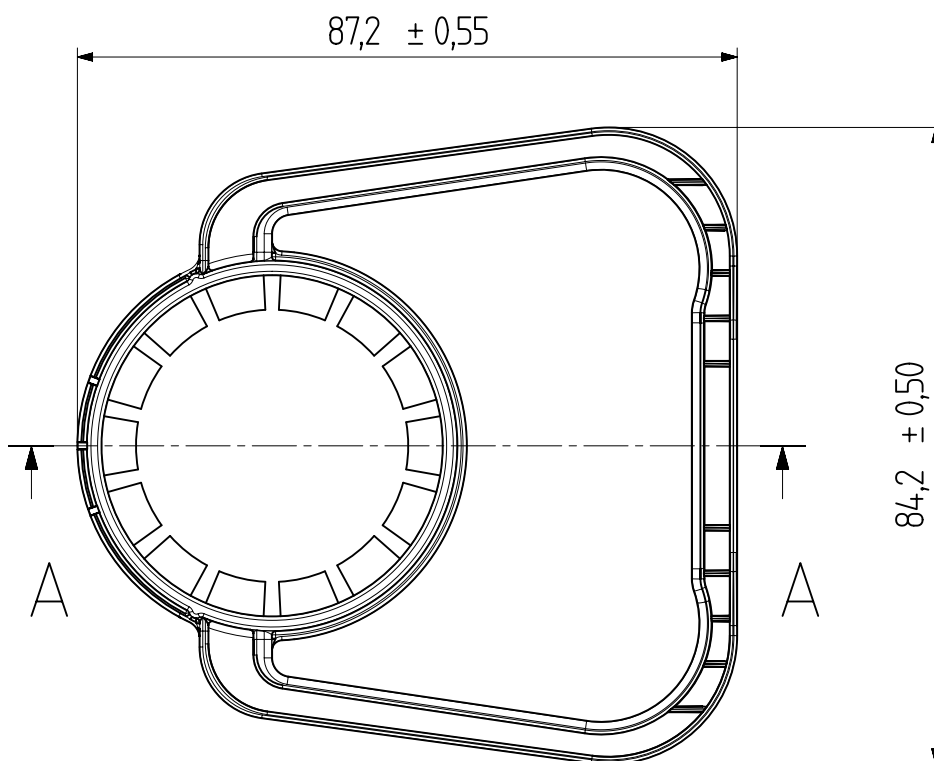
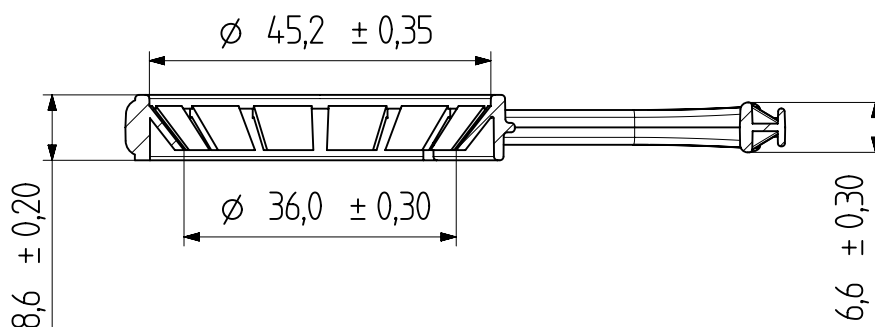
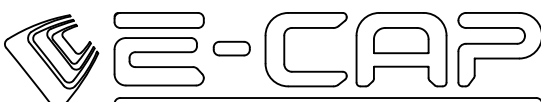


SECTION A-A



Massa:  $5 \pm 0.30$  g.

				Scale	Format
1	Handle RPB 38	1	HDPE	5.8 cm <sup>3</sup>	1:1 297.0 x 210.0
No	Part name	Qty	Material/Supplier	Volume	
Design			Project name	Project number	
Drawing	I.Zyryanov	05.05.26	PF-069	ED-069	
Approved					
	Name	Date	Part number		
			RPB_38		